

Diamond Wire and Wire Saw Accessories



WIRE SAWING

Diamond Wire

General Concrete

40 beads /m 11mm diameter
Rubber coated & sprung \$285+gst/m

Abrasive Concrete

40 beads /m 11mm diameter
Rubber coated & sprung \$285+gst/m

Heavy Steel Hard Concrete

40 beads /m 11mm diameter
Rubber coated & sprung \$285+gst/m

Steel Only

40 beads /m 11mm diameter
Rubber coated & sprung \$350+gst/m

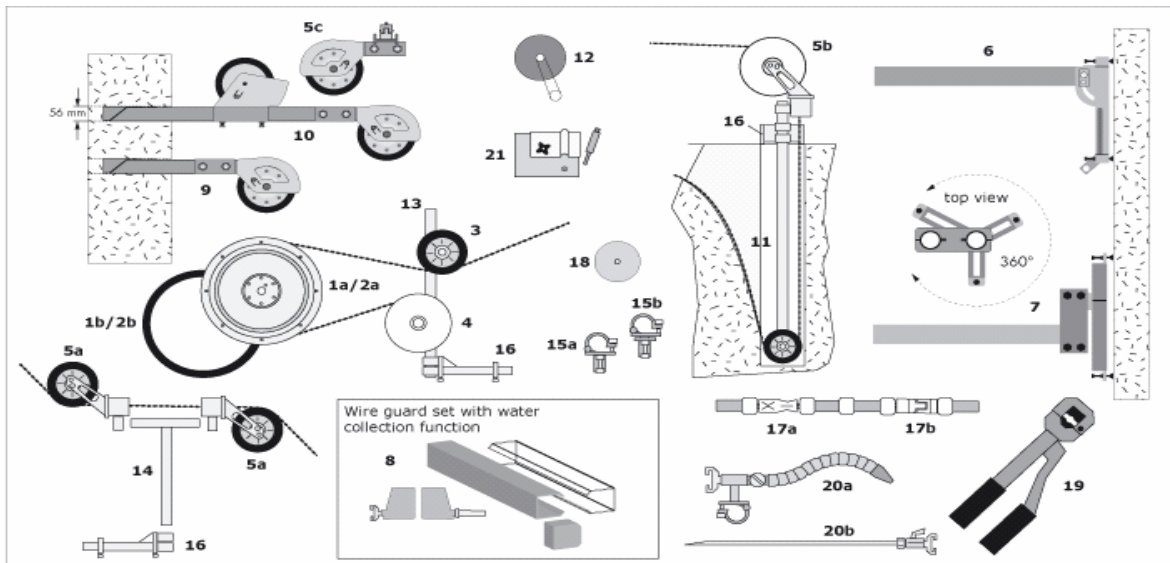
Best Prices



Diamond Wire Joint Press 5ton \$1500+gst
Straight Joiners \$ 1+gst ea
Universal Joiners \$ 40+gst ea



WIRE SAWS



We have access to some of the worlds leading Wire saws and Accessories. If you have a job that does not suit blade cutting, talk to us about wire sawing as an option.



FREE PHONE (0800) 475 559

DARDA CONCRETE CRUSHERS and SPLITTERS

Darda Hydraulic Crushers, Shears and Splitters

Combination Shears

	<i>Price</i>
HCS 6 C Shears	\$ 10,710.00
HCS 6 S Sickle Blade	\$ 10,710.00
HCS 6 B Brick Jaw	\$ 11,092.50
HCS 6 J Concrete Jaw	\$ 11,092.50
S1 Hydraulic Hose x 10mtr for 1 cylinder	\$ 805.80
Power Pack BP (Petrol)	\$ 10,036.80
Power Pack EP (240 volt electric)	\$ 10,506.00

Combi attachments

SET OF SHEAR BLADE HCS 6 C	\$ 1,878.79
SET OF SICKLE BLADE HCS 6 S	\$ 1,878.79
SET OF BRICK JAW HCS 6 B	\$ 2,167.64
SET OF CONCRETE JAW HCS 6 J COMPLT.	\$ 2,167.64

Splitters

C9 Splitting Cylinder	\$ 14,101.00
C12N Splitting Cylinder	\$ 17,416.50
Enlarging counter wedge C9 (pr)	\$ 1,528.00
Enlarging counter wedge C12 (pr)	\$ 1,528.00



EQUIPMENT

Silent Demolition